

Ultra 4K Smart Laser PTZ series



Lens/Zoom Ordering Part Numbers
 Mod 102-22-4SM = 4K resolution, 22x Zoom
 Mod 103-44-2SM = 1080P Resolution, 44x Zoom



IP66 SMART 4K H.265 Laser 22x/44x PoE

- Ultra 4K High Definition
- 22x or 44x Optical
- 350Mt Laser Range
- 3D Intelligent Positioning
- Environmental IP66
- Smart Advanced Analytics
- Color Night Vision
- Internal SD Storage

Camera

Image Sensor 1 / 1.7" Progressive Scan Sony CMOS
 Minimum Illumination 0 lux w Laser ON
 Shutter Speed 1 ~ 1 / 10,000 seg
 Focus Auto, semi auto, manual
 Lens Focal Length 22x 6.5mm~143 mm or 44x 5.0mm~220mm
 Angle of view 56.7 Wide ~ 3.07 Tele
 Aperture Range F1.6~F5.0
 Laser Range Up to 350 mts, automatically adjusted with zoom
 Digital Noise reduction 3D DNR & Smart Dynamic Noise Reduction sDNR
 Wide Dynamic Range Digital WDR (on/off)
 White Balance Auto, manual, ATW, interior, exterior, daylight, lamp
 Pan/Tilt/Rotati/Presets Pan 360, tilt -15 to 90 (auto flip), speed 200/sec / 256 presets
 Zoom 22x Optical; 16x Digital or 44x Optical; 22x Digital

Wiper

Compression Standards

Video Compression H.265+ / H.265 / H.264+ / H.264 / MJPEG
 H.265 Type Main Profile
 Video Bit rate 32 Kbps to 16 Mbps
 Number of Streams 3 (Unicast or multicast)
 Audio G.711 (u/alaw) / G.722 / G.726 / MP2L2 / 64kbps / G.711 / 16kb

Image

Maximum Resolution Full Ultra 4K Real Time 3840x2160 or 1080P HD 1920x1080
 Stream Frame Rate Max Ultra 4K 3840x2160 @ 30 fps / 25fps or 1080P HD 1920x1080 @ 60fps High Speed
 Image Settings Rotate, saturation, brightness, sharpness, contrast
 Backlight Compensation Yes, Zone configurable
 Zones of interest Yes up to 128 configurable areas
 Privacy Masks Yes up to 10 configurables

Analytics

Smart Features

Line crossing, intrusion, People Counting, Parking, Enter Area Face Detection, Loitering, Object left, Object moving, Traffic

Network

Network Storage NAS (Supports NFS, SMB/CIFS); ANR
 Alarm Triggers Motion, line crossing, network disconnect, IP conflict
 Protocols TCP/IP, UDP, ICMP, HTTP, HTTPS, FTP, DHCP, DNS, DDNS, RTP
 RTSP RTSP PPPoE NTP UPnP SMTSP SNMP IGMP 802.1X QoS IPv6 IPv4
 Security Three level user authentication, password authorization, HTTPS and SSH Certificate, IEEE802.1X, basic and digest authentication, watermark, IP address filtering, log-in lockout
 ONVIF (profile S, G), PSIA, CGI, ISAPI

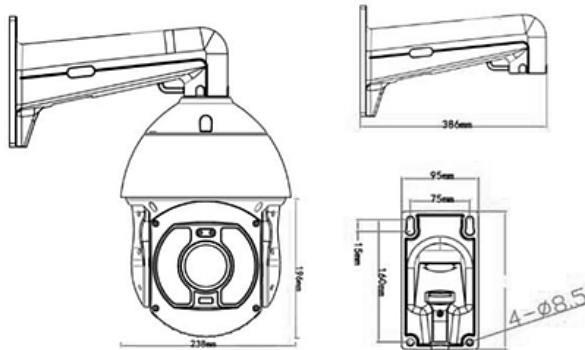
Standards

Interface

Communication 1 RJ45 10M / 100M Auto Ethernet port
 On-Board Storage Built in micro SD / SDHC / SDXC slot up to 64GB (opt)
 Alarm 1 alarm I/O
 Audio 1 audio I/O dry contact

General

Operating Conditions -35C TO 60C, humidity 90% or less (non-condensating)
 Power 24 VAC +/- 10%, Hi-PoE / 802.3af; UL/cUL Listed
 Power Consumption Maximum 38 watt w Laser ON / 30 watt Laser OFF
 Protection TVS 4,000V Lighting Protection, Surge Protection
 Ingress Protection IP 66 (heater and cooling vent controlled by thermostat)
 Impact Protection IEC60068-2.275Eh, 20J; EN 50102; IK10
 Regulations EC/EN 61000, IEC/EN 55022, IEC/EN 55024, IEC/EN 60950-1 FCC Part 15, Class 1, UL cUL 60950-1, RoHS



SONY



Exmor IR
 CMOS Sensor

