

# Ultra HD Laser PTZ Series



Lens/Zoom/Ordering Part Numbers  
 Mod 55-20-4 = 2K resolution; 20x Zoom  
 Mod 56-20-5L = 2K Resolution; 20x Zoom; Starlight  
 Mod 57-36-5 = 2K Resolution; 36x Zoom



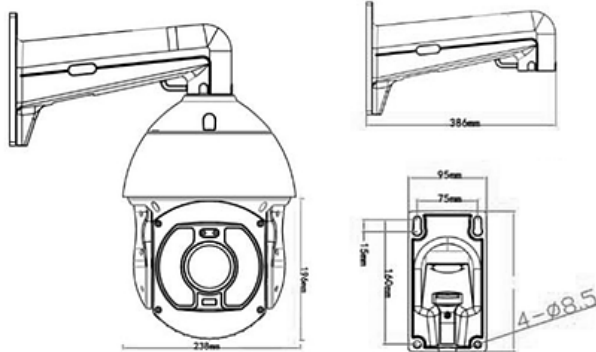
## IP66 Starlight 2K H.265 Laser 20x/36x PoE

- Ultra 2K High Definition
- 20x or 36x Optical
- 350Mt Laser Range
- 3D Intelligent Positioning
- Environmental IP66
- Color Night Vision
- Internal SD Storage

**SONY**



**Exmor R**  
CMOS Sensor



**Camera**

Image Sensor 1.1 / 1.7" Progressive Scan Sony CMOS  
 Minimum Illumination 0 lux w IR ON  
 Shutter Speed 1 ~ 1/10,000 seg  
 Focus Auto, semi auto, manual  
 Lens Focal Length 20x 4.7mm~94 mm or  
 20x 4.8mm~84.6mm or  
 36x 4.6mm ~ 167 mm  
 Angle of view 100 Wide ~ 3.07 Tele  
 Aperture Range F1.6~F5.0  
 Laser Range Up to 350 mts, automatically adjusted with zoom  
 Digital Noise reduction 3D DNR & Smart Dynamic Noise Reduction sDNR  
 Wide Dynamic Range Digital WDR (on/off)  
 White Balance Auto, manual, ATW, interior, exterior, daylight, lamp  
 Pan / Tilt / Rotation / Preset Pan 360, tilt -15 to 90 (auto flip), speed 200 / sec / 256 presets  
 Zoom 20x Optical; 18x Digital or  
 20x Optical; 20x Digital or  
 36x Optical; 25x Digital  
 N/A

**Wiper**

**Compression Standards**

Video Compression H.265+ / H.265 / H.264+ / H.264 / MJPEG  
 H.265 Type Main Profile  
 Video Bit rate 32 Kbps to 16 Mbps  
 Number of Streams 3 (Unicast or multicast)  
 Audio G.711 (u/awlaw) / G.722 / G.726 / MP2L2 / 64kbps / G.711 / 16kbps

**Image**

Maximum Resolution Ultra 2K 2592x1944 or  
 Starlight Ultra 2K 2592x1944 or  
 Ultra 2K 2592x1944  
 Stream Frame Rate Ultra 2K 2592x1944 @ 15fps; 2304x1296 @30fps or  
 2K 2592x1944 @ 30fps or  
 Ultra 2K 2592x1944 @ 30fps

**Image Settings**

Backlight Compensation Yes, Zone configurable  
 Zones of Interest Yes up to 128 configurable areas  
 Privacy Masks Yes up to 10 configurables

**Analytics**

Smart Features Motion, 3D Scan, Auto Tracking

**Network**

Network Storage NAS (Supports NFS, SMB / CIFS); ANR  
 Alarm Triggers Motion, line crossing, network disconnect, IP conflict  
 Protocols TCP/IP, UDP, ICMP, HTTP, HTTPS, FTP, DHCP, DNS, DDNS, RTP, RTSP  
 RTCP, PPPoE, NTP, UPnP, SMTP, SNMP, IGMP 802.1X, QoS, IPv6, IPv4  
 Security Three level user authentication, password authorization, HTTPS and SSH Certificate, IEEE802.1X, basic and digest authentication, watermark, IP address filtering, log-in lockout  
 ONVIF (profile S, G), PSIA, CGI, ISAPI

**Standards**

**Interface**

Communication 1 RJ45 10M / 100M Auto Ethernet port  
 On-Board Storage Built in micro SD / SDHC / SDXC slot up to 64GB (opt)  
 Alarm 1 alarm I/O  
 Audio 1 audio I/O dry contact

**General**

Operating Conditions -35C TO 60C, humidity 90% or less (non-condensating)  
 Power 24 VAC +/- 10%, Hi-PoE (802.3af), UL/cUL Listed  
 Power Consumption Maximum 38 watt w Laser ON / 30 watt Laser OFF  
 Protection TVS 4,000V Lighting Protection, Surge Protection  
 Ingress Protection IP 66 (heater and cooling vent controlled by thermostat)  
 Impact Protection IEC60068-275Eh, 20j; EN 50102; IK10  
 Regulations IEC / EN 61000, IEC / EN 55022, IEC / EN 55024, IEC / EN60950-1  
 FCC Part 15, Class, UL cUL 60950-1, RoHS

