

Intrinsically Safe Ultra HD PTZ

STARLIGHT

Lens/Zoom Ordering Part Numbers
 Mod 91-36-2 = 1080P resolution; 36x Zoom
 Mod 92-20-4 = 2K Resolution; 20x Zoom
 Mod 93-20-5SL = 2K Resolution; 20x Zoom; Starlight



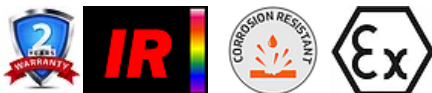
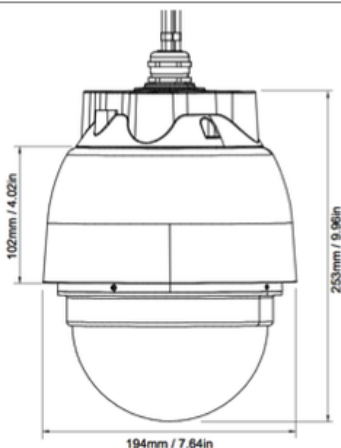
IP67 STAINLESS 2K H.264 SD 20x/36x PoE

- Intrinsically Safe
- 20x/36x Optical Zoom
- Color Night Vision
- Environmental IP67
- Explosion Proof
- 316 Stainless Steel
- Internal SD Storage
- Extreme Temperature

SONY



Exmor IR
CMOS Sensor



Camera

| | |
|---------------------------|--|
| Image Sensor | 1/3" Progressive Scan Sony CMOS |
| Minimum Illumination | 0 lux w IR ON |
| Shutter Speed | 1 ~ 1/10,000 seg |
| Focus | Auto, semi auto, manual |
| Lens Focal Length | 4.6 mm~ 167 mm 36x or 4.7 mm~ 94 mm 20x or 4.8 mm~ 84.6 mm |
| Angle of view | 100 Wide ~ 3.07 Tele |
| Aperture Range | F1.6~F5.0 |
| Infrared Range | N/A |
| Digital Noise reduction | 3D DNR & Smart Dynamic Noise Reduction sDNR |
| Wide Dynamic Range | Digital WDR , on/off, |
| White Balance | Auto, manual, ATW, interior, exterior, daylight, lamp |
| Pan/Tilt/Rotation/Presets | Pan 360, tilt -15 to 90, auto flip, speed 200/sec / 256 presets |
| Zoom | 36x Optical; 22x Digital or 20x Optical; 16x Digital or 20x Optical; 18x Digital |

Wiper

Compression Standards

| | |
|-------------------|---|
| Video Compression | H.264 / MJPEG |
| H.264 Type | Main Profile |
| Video Bit rate | 32 Kbps to 16 Mbps |
| Number of Streams | 2 (Unicast or multicast) |
| Audio | G.711 / G.722 / G.726 / MP2L2 / 64kbps, G.711, / 16kbps |

Image

| | |
|--------------------|--|
| Maximum Resolution | 1080P HD 1920x1080 or Super 2K 2592x1944 or Starlight Super 2K 2592x1944 |
| Stream Frame Rate | 1080P HD 1920x1080 @ 30fps Super 2K 2592x1944 @ 15 fps; 2304x1296@30fps or 2592 x 1944 @ 30fps |

Image Settings

| | |
|------------------------|--|
| Backlight Compensation | Rotate, saturation, brightness, sharpness, contrast |
| Zones of interest | Yes, Zone configurable |
| Privacy Masks | Yes up to 128 configurable areas Yes up to 10 configurables |

Analytics

| | |
|----------------|-----------------------|
| Smart Features | Motion, Auto Tracking |
|----------------|-----------------------|

Network

| | |
|-----------------|--|
| Network Storage | NAS (Supports NFS, SMB / CIFS ; ANR |
| Alarm Triggers | Motion, line crossing, network disconnect, IP conflict |
| Protocols | TCP / IP, UDP, ICMP, HTTP, HTTPS, FTP, DHCP, DNS, DDNS, RTP RTSP RTCP PPPoE NTP UPnP SMTP SNMP IGMP 802.1X QoS IPv6 IPv4 |

Security

| | |
|--|--|
| | Three level user authentication, password authorization, HTTPS and SSH Certificate, IEEE802.1X, basic and digest authentication, watermark, IP address filtering, log_in lockout ONVIF (profile S, G), PSIA, CGI, ISAPI |
|--|--|

Standards

Interface

| | |
|------------------|---|
| Communication | 1 RJ45 10M / 100M Auto Ethernet port |
| On-Board Storage | Built in micro SD / SDHC / SDXC slot up to 64GB (opt) |
| Alarm | 1 alarm I/O |
| Audio | 1 audio I/O dry contact |

General

| | |
|----------------------|--|
| Operating Conditions | -40C TO 60C, humidity 90% or less (non-condensating) |
| Power | 24 VAC +/- 10%, Hi-PoE (802.3af, UL/cUL Listed |
| Power Consumption | Maximum 38 watt w heater ON / 30 Watt heater OFF |
| Protection | TVS 4,000V Lighting Protection, Surge Protection |
| Ingress Protection | IP 66, heater and cooling vent controlled by thermostat, |
| Impact Protection | IEC60068-2.75Eh, 20J; EN 50102; IK10 |
| Regulations | IEC/EN 61000, IEC/EN 55022, IEC/EN 55024, IEC/EN60950-1 FCC Part 15, Class , UL cUL 60950-1, RoHS |

